



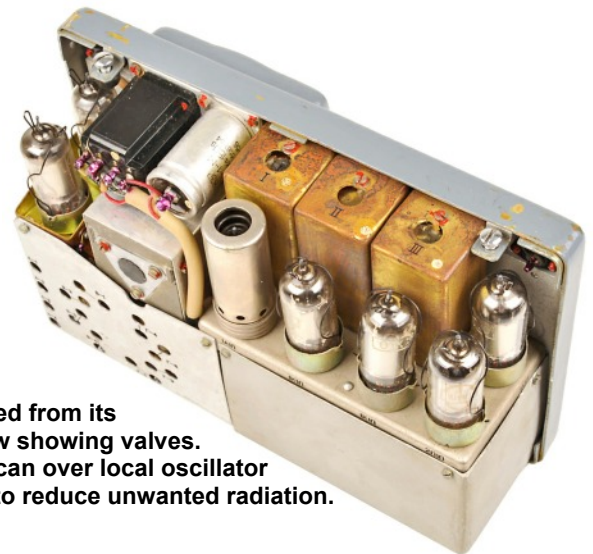
PR-56A  
Country of origin: Russia

**DATA SUMMARY**

**Organisation:** Former Soviet Union.  
**Year of Introduction:** 1956.  
**Purpose:** Agents, possibly special forces.  
**Receiver:**  
**Circuit features:** RF, mixer, oscillator, IF stage (2x), detector/AF, AF output, BFO. AM R/T and CW.  
**Frequency coverage:** 2-12 MHz in 4 ranges: 2-3.2MHz, 3.2-5MHz, 5-8MHz and 8-12MHz.  
**Valves:** 1K1P (1K1П) 3x, 2P1P (2П1П) 2x, 1A1P (1A1П) 2x  
**Power Supply:** 80V HT, 1.5V LT, -4.5V GB.  
**Size (cm):** Height 8, Length 13, Width 20.  
**Accessories:** TA-4 headphones, battery cable, battery box, aerial lead.

**REMARKS**

The PR-56A (Russian ПР-56А) was a miniature battery operated short wave receiver. Used as a stand alone receiver, it was also part of the Rion R-57 suitcase set (see Chapter 154). The receiver was principally designed for CW reception, has no AVC, and only an RF gain control.



PR-56A removed from its cover. Top view showing valves. Note a screen can over local oscillator valve in order to reduce unwanted radiation.



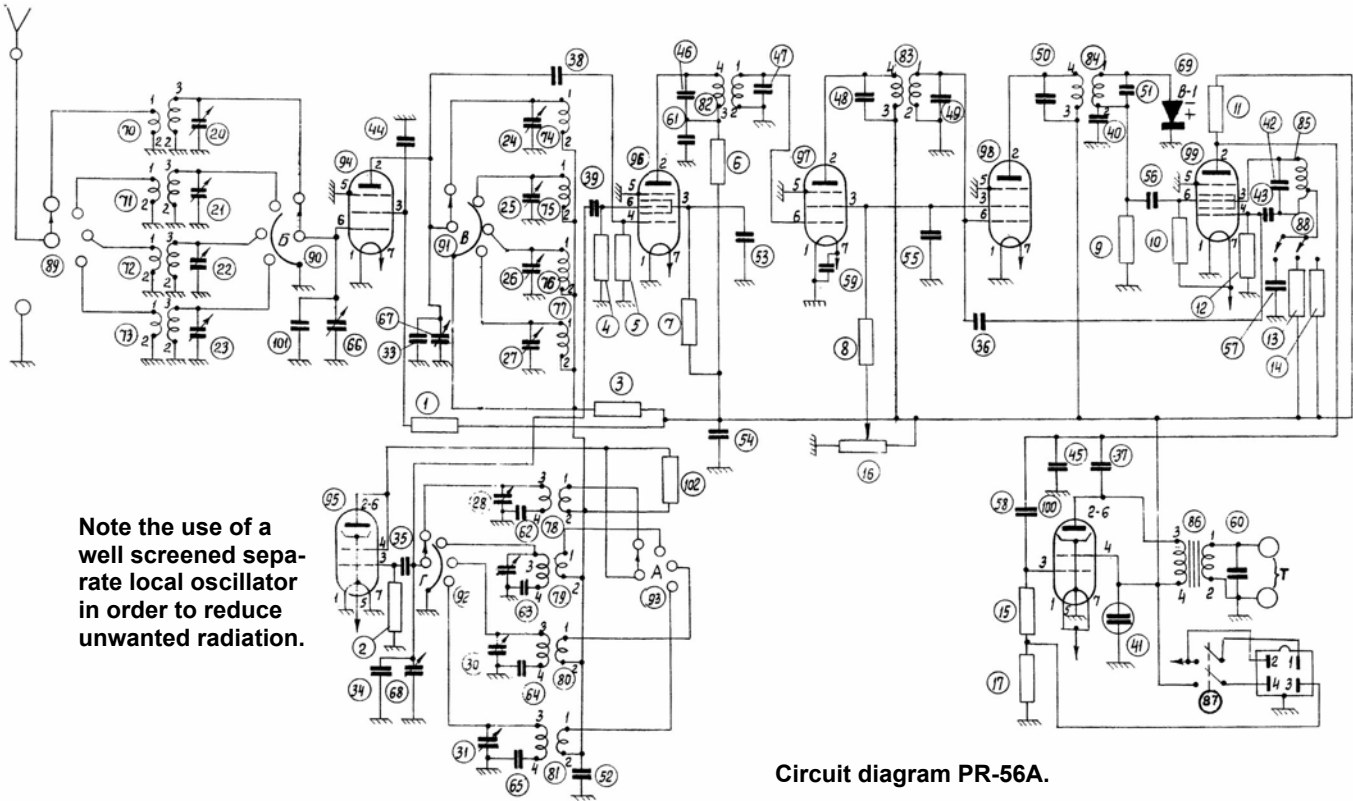
Stand alone PR-56A receiver with power cable and TA-4 headphones connected.



Detail view of frequency scales and tuning arrangements. Course tuning was done with the large black frequency scale which extends at both sides. The brown thumb wheel at the right was used for fine tuning.

**References:**

This chapter is an abridged version based on a full account of the PR-56A receiver described in [www.cryptomuseum.com](http://www.cryptomuseum.com). Photos taken from a PR-56A held in the collection of the museum, and information from the website was published with kind permission of the Crypto Museum, Eindhoven, Holland.



Circuit diagram PR-56A.



Front panel layout and functions of controls PR-56A.



Receiver removed from its case.



PR-56A rear view showing RF unit left and other stages right.